



***Pro-DB Distribution Boards
Pro-Panel Panelboards***

*Comply with UK regulations and standards
for Building Projects*

OUR CUSTOMER CARE COMMITMENTS

Quality is Guaranteed

All products supplied from this catalogue carry a guarantee against defects in materials and workmanship for a period of 12 months from date of purchase as standard.

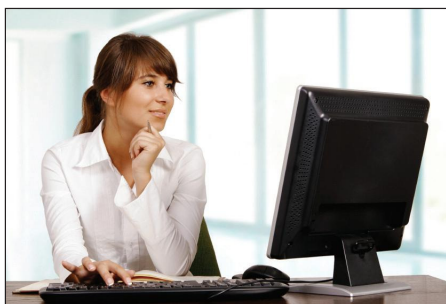
Quality is Accredited

Terasaki has ISO 9001 accreditation for the supply of all products featured in this catalogue.



Ordering is Easy

We have made ordering easy for you by including order codes. If you need help with ordering or selection, please call the telephone number shown below.



Technical Support is Free

Our helpful Applications Team are at your disposal. They provide free, detailed advice on the application of our products and use industry-leading electrical design software packages.

CUSTOMER SERVICE CONTACT DETAILS

TERASAKI ELECTRIC (EUROPE) LTD.

80 Beardmore Way, Clydebank Industrial Estate
Clydebank, Glasgow, G81 4HT, Scotland (UK)

Telephone: 44-141-941-1940

Fax: 44-141-952-9246

Email: marketing@terasaki.co.uk

<http://www.terasaki.com/>

CONTENTS



Pro-DB Distribution Boards	5-6
Ratings and Specifications	7
Order Codes	8-17
Dimensions	18-20



Pro-Panel Panelboards	21
Ratings and Specifications	22
Order Codes	23-27

These products will allow panelbuilders and installation contractors to offer systems which comply with UK building regulations, wiring regulations and product standards.

Safety and protection are the prime purposes of Terasaki products.

Pro-DB Distribution Boards and Pro-Panel Panelboards are designed for Terasaki circuit breakers, offering co-ordinated protection from transformer to final circuit.

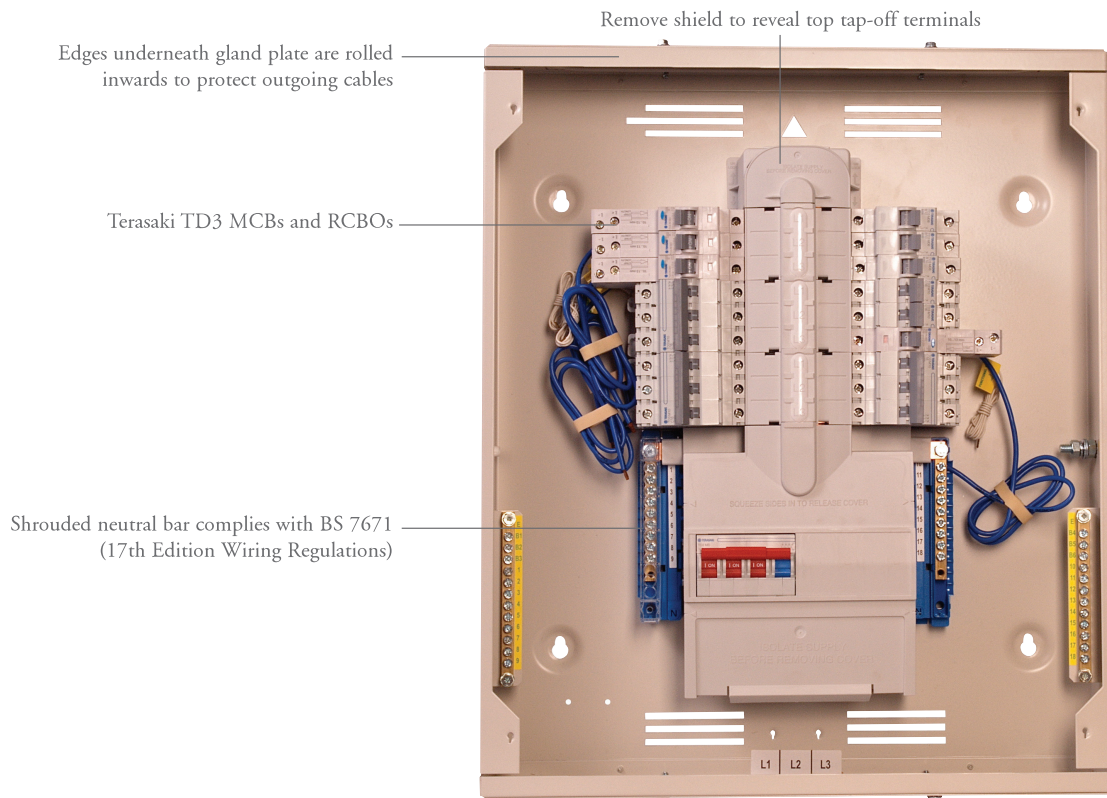


PRO-DB DISTRIBUTION BOARDS



DESCRIPTION

- Pro-DB: a three-phase and neutral distribution board (a single-phase and neutral version is available – details on page 11)
- Busbar Ratings: 125A or 250A
- 3P outgoing circuits (ways) on 125A version: 4, 6, 8, 12, 16, 18, 24
- 3P outgoing circuits (ways) on 250A version: 8, 12, 16, 18, 24
- Incoming connections: switch-disconnector, RCD, MCCB, contactor and direct connection



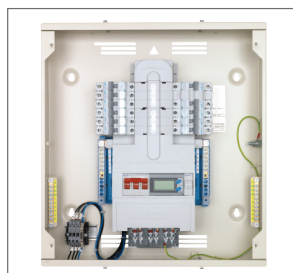
**The IEE Wiring Regulations, BS 7671: 2008 "Requirements for Electrical Installations"* ✓

PRO-DB DISTRIBUTION BOARDS



CIRCUIT PROTECTION

- TD3 M10 10kA MCBs from 0.5A to 63A with type B, C or D protection curves. 1P or 3P.
- TD3RCBO 10kA single module RCBO from 6A to 40A with type B or C protection curves. The use of RCBOs on certain final circuits is mandatory to comply with the UK wiring regulations*.
- Surge protection devices can be installed in multi-service DIN extension boxes. Refer to our price list “DIN Modular Protection” (DMP PL0111) devices for the full range.



INTEGRATED METERING – SAVING SPACE AND SAVING MONEY

Metering is integrated in Pro-DB products. Simple energy meters (kWh) with pulsed output, digital multifunction meters with pulsed output and digital multifunction meters with modbus output can be installed inside the boards without extension boxes.



SEPARATE METERING OF LIGHTING AND SMALL POWER

- Split metering of lighting and small power loads enables compliance with building regulations in the UK*.
- Horizontal separate metering for 125A and 250A Pro-DB distribution boards. Two distribution boards are mounted side-by-side: one for lighting circuits, the other for circuits feeding small power. A dual meter kit is added underneath to accept the incoming cables and house the incoming device, meters and CTs. The width of the dual meter kit is double that of a distribution board.



- Vertical separate metering for 125A Pro-DB distribution boards. The incoming device, metering, CTs and outgoing devices are integrated in one enclosure. There are two metered busbar sections which are fed by cabling from the load side of the single incoming device.

**Part L2 The Building Regulations 2000 (2006 edition)*



RATINGS AND SPECIFICATIONS

PRO-DB

Characteristics	PRO-DB 125A	PRO-DB 250A
Standards	Designed, manufactured and tested to BS EN 60439-3	Designed, manufactured and tested to BS EN 60439-3
Busbar Current Rating	125A	250A
Busbar Type	Fully shrouded copper	Fully shrouded copper
Busbar Rating	25kA Conditional	25kA Conditional
Incoming	100A Switch. 3P or 4P 125A Switch. 3P or 4P 63A contactor AC3 100A contactor AC3 Direct connection RCCB incomers	250A Switch 3P or 4P 250A MCCB 3P 160A contactor AC3 Direct connection
Outgoing Ways	4, 6, 8, 12, 16, 24 3P outgoing ways	8, 12, 16, 18, 24 3P outgoing ways
Outgoing Protection	Type B MCB (6A to 63A, 1P & 3P) Type C, D MCB, (0.5A to 63A, 1P & 3P) 1Mod RCBO (6A to 40A Type B & C, 30mA)	Type B MCB (6A to 63A, 1P & 3P) Type C, D MCB, (0.5A to 63A, 1P & 3P) 1Mod RCBO (6A to 40A Type B & C, 30mA)
Voltage Rating in AC	230 / 400V	230 / 400V
IP Protection	IP3X to BS EN 60529	IP3X to BS EN 60529
Enclosure Body Type	Steel	Steel
Enclosure Paint Type	Powder coat Grey white RAL 9002	Powder coat Grey white RAL 9002
Cable entry	Obround protected cable entry points	Obround protected cable entry points
Terminal Connection Capacity		
Incoming Earth Terminal	M8 stud	M8 stud
Incoming Neutral Terminal	50mm ² cage or M5 stud	50mm ² cage or M5 stud
Outgoing earth Terminals	16mm ²	16mm ²
Enclosure Earth Stud	M8	M8
Installation		
Mounting	4 x key hole fixing holes plus central top key hole for one fixing hanging/ levelling	4 x key hole fixing holes plus central top key hole for one fixing hanging/ levelling
Grand Plate	Top and bottom removable	Top and bottom removable
Integrated Locking System	Coin lock as standard, key lock as accessory	Coin lock as standard, key lock as accessory

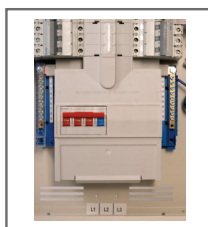
ORDER CODES

125A TP & N DBs

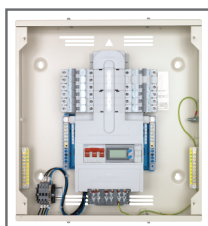
- Standard Pro-DB: order a distribution board and an incomer kit from the tables below, and outgoing devices from page 13. The incomer kit includes the switching or protective device, shrouding and electrical connections.
- Pro-DB with integrated metering: order a distribution board, incomer kit and a metering kit from the tables below. Outgoing devices are shown on page 13. The incomer kit includes the switching or protective device, shrouding and electrical connections. The metering kit includes the meter, CTs, fuses and wiring loom.
- Pro-DB with horizontal separate metering: order two distribution boards, an incomer kit for each, one dual metering kit from the tables below and outgoing devices from page 13. The dual metering kit has glazed doors for meter viewing and includes the main incoming device, metering, CTs, fuses, shrouding and electrical connections to both distribution busbars.
- Pro-DB with vertical separate metering: order one distribution board from the table below and outgoing devices from page 13. The distribution board has a glazed door for meter viewing and includes a 125A incomer, metering, CTs, fuses and wiring.



PRO-DB TP & N 125A	ORDER CODE
4 WAY 125A DB	TB12504
6 WAY 125A DB	TB12506
8 WAY 125A DB	TB12508
12 WAY 125A DB	TB12512
16 WAY 125A DB	TB12516
18 WAY 125A DB	TB12518
24 WAY 125A DB	TB12524



125A INCOMERS	ORDER CODE
100A 3P SW DISC INCOMER 125A DB	KSWD1003
100A 4P SW DISC INCOMER 125A DB	KSWD1004
125A 3P SW DISC INCOMER 125A DB	KSWD1253
125A 4P SW DISC INCOMER 125A DB	KSWD1254
63A 4P CONTACTOR INCOMER 125A DB	KCON0634
100A 4P CONTACTOR INCOMER 125A DB	KCON1004
125A DIRECT CONNECTION KIT 125A DB	KDIR125X
63A 4P 30MA RCCB INCOMER 125A DB	KR30063
100A 4P 30MA RCCB INCOMER 125A DB	KR30100
100A 4P 300MA RCCB INCOMER 125A DB	KR300100
100A 4P 300MA TD RCCB INCOMER 125A DB	KR300D100
100A 4P 100MA RCCB INCOMER 125A DB	KR100100



125A METERING KITS	ORDER CODE
MULTIFUNCTION METER KIT PULSED 125A DB	PMM1
MULTIFUNCTION METER KIT MODBUS 125A DB	MMM1
KWH PULSED METER KIT 125A DB	KPM1

ORDER CODES 125A TP & N DBs

PRO-DB



125A HORIZONTAL SEPERATE METERING	ORDER CODE
DUAL PULSED KWH METER KIT PULSED 125A DB	PKM125
DUAL MODBUS KWH METER KIT 125A DB	MKM125
DUAL PULSED KWH METER KIT 125A DB	PMM125
DUAL MODBUS MULTIMETER KIT 125A DB	MMM125



125A VERTICAL SEPERATE METERING	ORDER CODE
4/16 WAY 125A SPLIT DB INC METER	TBS416
8/12 WAY 125A SPLIT DB INC METER	TBS812

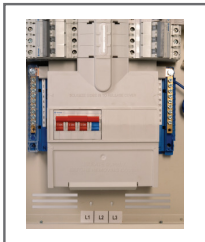
ORDER CODES

250A TP & N DBs

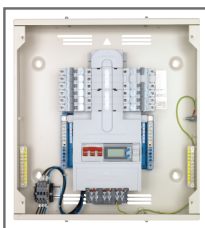
- Standard Pro-DB: order a distribution board and an incomer kit from the tables below, and outgoing devices from page 13. The incomer kit includes the switching or protective device, shrouding and electrical connections.
- Pro-DB with integrated metering: order a distribution board, incomer kit from the tables above and a metering kit from the tables below. Outgoing devices are shown on page 13. The incomer kit includes the switching or protective device, shrouding and electrical connections. The metering kit includes the meter, CTs, fuses and wiring loom.
- Pro-DB with horizontal separate metering: order two distribution boards, an incomer kit for each, one dual metering kit from the tables below and outgoing devices from page 13. The dual metering kit has glazed doors for meter viewing and includes the main incoming device, metering, CTs, fuses, shrouding and electrical connections to both distribution busbars.



PRO-DB TP & N 250A	ORDER CODE
8 WAY 250A DB	TB25008
12 WAY 250A DB	TB25012
16 WAY 250A DB	TB25016
18 WAY 250A DB	TB25018
24 WAY 250A DB	TB25024



250A INCOMERS	ORDER CODE
250A 3P MCCB INCOMER 250A DB	KMLD2503
250A 4P MCCB INCOMER 250A DB	KMLD2504
250A 3P SW DISC INCOMER 250A DB	KSWD2503
250A 4P SSW DISC INCOMER 250A DB	KSWD2504
250A 4P DIRECT CONNECTION KIT 250A DB	KDIR250
160A 4P CONTACTOR INCOMER 250A DB	KCON1604
125A 3P MCCB INCOMER 250A DB	KMLD1253
125A 4P MCCB INCOMER 250A DB	KMLD1254



250A METERING KITS	ORDER CODE
MULTIFUNCTION METER PULSED 250A DB	PMM2
MULTIFUNCTION METER MODBUS 250A DB	MMM2
KWH METER PULSED 250A DB	KPM2



250A HORIZONTAL SEPERATE METERING	ORDER CODE
DUAL PULSED KWH METER KIT 250A DB	PKM250
DUAL MODBUS KWH METER KIT 250A DB	MKM250
DUAL PULSED MULTIMETER KIT 250A DB	PMM250
DUAL MODBUS MULTIMETER KIT 250A DB	MMM250

ORDER CODES SP & N DBs

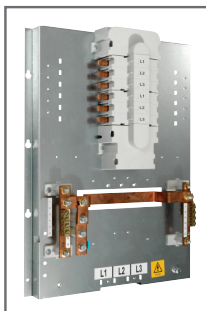
- Type A SP & N board: order the 14 way distribution board and the main switch from the tables below. Outgoing devices are shown on page 13.
- Custom SP & N board: order the 44 module DIN rail enclosure, required busbar length and the main switch from the tables below. Outgoing devices are shown on page 13.

PRO-DB SP & N	ORDER CODE
14 WAY 100A TYPE A DB SW DISC INC	TA10014
2 ROW 44MODDIN RAIL ENCLOSURE	TDIN44

MAIN SWITCH FOR PRO-DB SP & N	ORDER CODE
MODULAR SWITCH 2P 100A	TD3MS2P125A

COMB BUSBAR TYPE / CSA / POLES	ORDER CODE
FORK TYPE BUSBAR 1P 210mm/s = 12mm / 12 way	G1L21012
FORK TYPE BUSBAR 1P 1000mm/s = 20mm / 57 way	G1L100020

ORDER CODES BUSBAR ASSEMBLIES

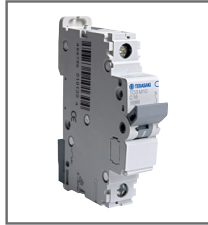


PRO-DB BUSBAR ASSEMBLY 125A	ORDER CODE
4 WAY 125A BUSBAR ASSEMBLY	TB12504
6 WAY 125A BUSBAR ASSEMBLY	TB12506
8 WAY 125A BUSBAR ASSEMBLY	TB12508
12 WAY 125A BUSBAR ASSEMBLY	TB12512
16 WAY 125A BUSBAR ASSEMBLY	TB12516
18 WAY 125A BUSBAR ASSEMBLY	TB12518
24 WAY 125A BUSBAR ASSEMBLY	TB12524

PRO-DB BUSBAR ASSEMBLY 250A	ORDER CODE
8 WAY 250A BUSBAR ASSEMBLY	TB25008
12 WAY 250A BUSBAR ASSEMBLY	TB25012
16 WAY 250A BUSBAR ASSEMBLY	TB25016
18 WAY 250A BUSBAR ASSEMBLY	TB25018
24 WAY 250A BUSBAR ASSEMBLY	TB25024

- Complete with galvanised mounting plate and neutral bars. Earth bars are available separately on request.

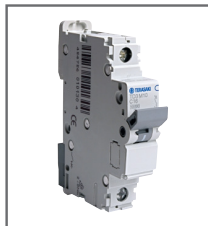
ORDER CODES TD3 CIRCUIT PROTECTION



TD3 M10 TYPE B 1P MCBS	ORDER CODE
MCB 1P 10kA B-6A 1M	TD3M10061B
MCB 1P 10kA B-10A 1M	TD3M10101B
MCB 1P 10kA B-16A 1M	TD3M10161B
MCB 1P 10kA B-20A 1M	TD3M10201B
MCB 1P 10kA B-25A 1M	TD3M10251B
MCB 1P 10kA B-32A 1M	TD3M10321B
MCB 1P 10kA B-40A 1M	TD3M10401B
MCB 1P 10kA B-50A 1M	TD3M10501B
MCB 1P 10kA B-63A 1M	TD3M10631B



TD3 M10 TYPE B 3P MCBS	ORDER CODE
MCB 3P 10kA B-6A 3M	TD3M10063B
MCB 3P 10kA B-10A 3M	TD3M10103B
MCB 3P 10kA B-16A 3M	TD3M10163B
MCB 3P 10kA B-20A 3M	TD3M10203B
MCB 3P 10kA B-25A 3M	TD3M10253B
MCB 3P 10kA B-32A 3M	TD3M10323B
MCB 3P 10kA B-40A 3M	TD3M10403B
MCB 3P 10kA B-50A 3M	TD3M10503B
MCB 3P 10kA B-63A 3M	TD3M10633B



TD3 M10 TYPE C 1P MCBS	ORDER CODE
MCB 1P 10kA C-2A 1M	TD3M10021C
MCB 1P 10kA C-4A 1M	TD3M10041C
MCB 1P 10kA C-6A 1M	TD3M10061C
MCB 1P 10kA C-10A 1M	TD3M10101C
MCB 1P 10kA C-16A 1M	TD3M10161C
MCB 1P 10kA C-20A 1M	TD3M10201C
MCB 1P 10kA C-25A 1M	TD3M10251C
MCB 1P 10kA C-32A 1M	TD3M10321C
MCB 1P 10kA C-40A 1M	TD3M10401C
MCB 1P 10kA C-50A 1M	TD3M10501C
MCB 1P 10kA C-63A 1M	TD3M10631C

ORDER CODES

TD3 CIRCUIT PROTECTION



TD3 M10 TYPE C 3P MCBS	ORDER CODE
MCB 3P 10kA C-2A 3M	TD3M10023C
MCB 3P 10kA C-4A 3M	TD3M10043C
MCB 3P 10kA C-6A 3M	TD3M10063C
MCB 3P 10kA C-10A 3M	TD3M10103C
MCB 3P 10kA C-16A 3M	TD3M10163C
MCB 3P 10kA C-20A 3M	TD3M10203C
MCB 3P 10kA C-25A 3M	TD3M10253C
MCB 3P 10kA C-32A 3M	TD3M10323C
MCB 3P 10kA C-40A 3M	TD3M10403C
MCB 3P 10kA C-50A 3M	TD3M10503C
MCB 3P 10kA C-63A 3M	TD3M10633C



TD3 M10 TYPE D 1P MCBS	ORDER CODE
MCB 1P 10kA D-0.5A 1M	TD3M100051D
MCB 1P 10kA D-1A 1M	TD3M10011D
MCB 1P 10kA D-2A 1M	TD3M10021D
MCB 1P 10kA D-3A 1M	TD3M10031D
MCB 1P 10kA D-4A 1M	TD3M10041D
MCB 1P 10kA D-6A 1M	TD3M10061D
MCB 1P 10kA D-10A 1M	TD3M10101D
MCB 1P 10kA D-16A 1M	TD3M10161D
MCB 1P 10kA D-20A 1M	TD3M10201D
MCB 1P 10kA D-25A 1M	TD3M10251D
MCB 1P 10kA D-32A 1M	TD3M10321D
MCB 1P 10kA D-40A 1M	TD3M10401D
MCB 1P 10kA D-50A 1M	TD3M10501D
MCB 1P 10kA D-63A 1M	TD3M10631D

ORDER CODES

TD3 CIRCUIT PROTECTION

PRO-DB



TD3 M10 TYPE D 3P MCBS	ORDER CODE
MCB 3P 10kA D-0.5A 3M	TD3M100053D
MCB 3P 10kA D-1A 3M	TD3M10013D
MCB 3P 10kA D-2A 3M	TD3M10023D
MCB 3P 10kA D-3A 3M	TD3M10033D
MCB 3P 10kA D-4A 3M	TD3M10043D
MCB 3P 10kA D-6A 3M	TD3M10063D
MCB 3P 10kA D-10A 3M	TD3M10103D
MCB 3P 10kA D-16A 3M	TD3M10163D
MCB 3P 10kA D-20A 3M	TD3M10203D
MCB 3P 10kA D-25A 3M	TD3M10253D
MCB 3P 10kA D-32A 3M	TD3M10323D
MCB 3P 10kA D-40A 3M	TD3M10403D
MCB 3P 10kA D-50A 3M	TD3M10503D
MCB 3P 10kA D-63A 3M	TD3M10633D



TD3RCBO TYPE B SINGLE MODULE	ORDER CODE
RCBO 1P 10kA B-6A 30mA AC	TD3RCBO100630MA1BAC
RCBO 1P 10kA B-10A 30mA AC	TD3RCBO101030MA1BAC
RCBO 1P 10kA B-16A 30mA AC	TD3RCBO101630MA1BAC
RCBO 1P 10kA B-20A 30mA AC	TD3RCBO102030MA1BAC
RCBO 1P 10kA B-25A 30mA AC	TD3RCBO102530MA1BAC
RCBO 1P 10kA B-32A 30mA AC	TD3RCBO103230MA1BAC
RCBO 1P 10kA B-40A 30mA AC	TD3RCBO104030MA1BAC



TD3RCBO TYPE C SINGLE MODULE	ORDER CODE
RCBO 1P 10kA C-6A 30mA AC	TD3RCBO100630MA1CAC
RCBO 1P 10kA C-10A 30mA AC	TD3RCBO101030MA1CAC
RCBO 1P 10kA C-16A 30mA AC	TD3RCBO101630MA1CAC
RCBO 1P 10kA C-20A 30mA AC	TD3RCBO102030MA1CAC
RCBO 1P 10kA C-25A 30mA AC	TD3RCBO102530MA1CAC
RCBO 1P 10kA C-32A 30mA AC	TD3RCBO103230MA1CAC
RCBO 1P 10kA C-40A 30mA AC	TD3RCBO104030MA1CAC

ORDER CODES EXTENSION BOXES

- Multi-service DIN extension boxes: single-row or double-row for Pro-DB 125A or 250A. Plain or glazed door versions
- Spreader boxes: large or small for Pro-DB 125A or 250A. Door to be ordered separately if required.
- Half-width side extension boxes: the same box suits both Pro-DB 125A and 250A. Filler boxes for corners are available.



EXTENSION BOXES	ORDER CODE
1ROW 16MOD DIN EXTENSION BOX 125A DB	TB125DINX16
2ROW 32MOD DIN EXTENSION BOX 125A DB	TB125DINX32
1ROW 16MOD DIN EXTENSION BOX 250A DB	TB250DINX16
2ROW 32MOD DIN EXTENSION BOX 250A DB	TB250DINX32
1ROW 16MOD DIN EXT BOX GLAZED 125A DB	TB125DINXG16
2ROW 32MOD DIN EXT BOX GLAZED 125A DB	TB125DINXG32
1ROW 16MOD DIN EXT BOX GLAZED 250A DB	TB250DINXG16
2ROW 32MOD DIN EXT BOX GLAZED 250A DB	TB250DINXG32
SMALL CABLE SPREADER BOX 125A DB	TBCABXS125
SMALL CABLE SPREADER BOX 250A DB	TBCABXS250
LARGE CABLE SPREADER BOX 125A DB	TBCABXL125
LARGE CABLE SPREADER BOX 250A DB	TBCABXL250
DOOR KIT FOR SMALL CABLE BOX 125 & 250A	TBCABXSDR
DOOR KIT FOR LARGE CABLE BOX 125 & 250A	TBCABXLDLDR
4 WAY HALF-WIDTH EXT BOX 125A DB	TBHX12504
6 WAY HALF-WIDTH EXT BOX 125A DB	TBHX12506
8 WAY HALF-WIDTH EXT BOX 125A DB	TBHX12508
8 WAY HALF-WIDTH EXT BOX 250A DB	TBHX25008
12 WAY HALF-WIDTH EXT BOX 125A DB	TBHX12512
12 WAY HALF-WIDTH EXT BOX 250A DB	TBHX25012
16 WAY HALF-WIDTH EXT BOX 125A DB	TBHX12516
16 WAY HALF-WIDTH EXT BOX 250A DB	TBHX25016
18 WAY HALF-WIDTH EXT BOX 250A DB	TBHX25018
24 WAY HALF-WIDTH EXT BOX 250A DB	TBHX25024
HALF-WIDTH FILLER BOX 125 DB	TBFB125
HALF-WIDTH FILLER BOX 250 DB	TBFB250

ORDER CODES ACCESSORIES

ACCESSORIES FOR SP & N DB	ORDER CODE
BLUE 100A FLEXI LINK 300MM	TBACCLINK100ABLUE
BROWN 100A FLEXI LINK 500MM	TBACCLINK100ABLACK
KEYLOCK FOR TYPE A DB	TAACCLOCK
100A 1M TERMINAL BLOCK FOR TYPE A	TAACCTER100

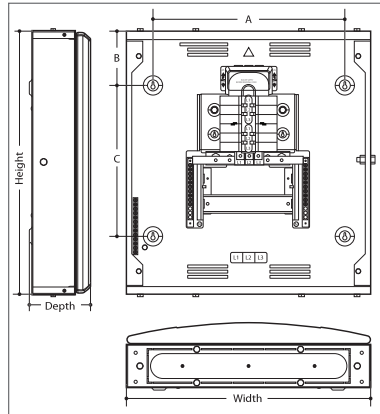
ACCESSORIES FOR TP & N DB	ORDER CODE
METER DATA LOGGER TCP/IP	TACCDATA
DOOR LOCKING KIT FOR TYPE B DB 125 & 250A	TBACCLOCK
SPARE LABEL PACK 125 & 250A	TBACCLAB
SINGLE PHASING KIT FOR 125A DB	TBACC1251PK
SINGLE PHASING KIT FOR 250A DB	TBACC2501PK
MECHANICAL CONNECTION KIT HOR/VERT	TBACCCONN
BRASS GLAND PLATE FOR 125A DB 125A	TBACC125GL
BRASS GLAND PLATE FOR 250A DB 250A	TBACC250GL
1 x 3P 100A TOP TAP-OFF KIT FOR 125A & 250 DB	TBACCTOPTAP

COMMON ACCESSORIES	ORDER CODE
TOUCH-UP PAINT	TBACCPAINT
1P BUSBAR BLANK	TBACCBLANK
Padlock Device for TD3	TD3LOK

DIMENSIONS

125A & 250A TP & N DBs

125A Distribution Board



Dimensions	TB12504	TB12506	TB12508	TB12512	TB12516	TB12518	TB12524
h (mm)	500	550	625	850	950	1100	1250
w (mm)	465	465	465	465	465	465	465
d (mm)	132.5	132.5	132.5	132.5	132.5	132.5	132.5
Fixing Centres (mm)							
A	365	365	365	365	365	365	365
B	100	100	100	100	100	100	100
C	300	350	425	650	750	900	1050

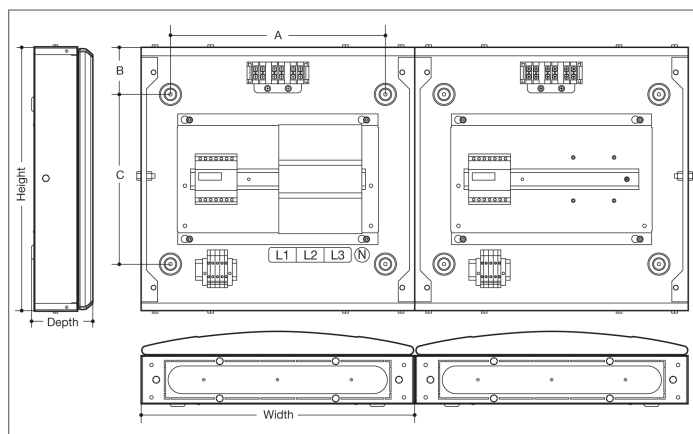
250A Distribution Board

Dimensions	TB25008	TB25012	TB25016	TB25018	TB25024
h (mm)	950	1100	1250	1400	1550
w (mm)	465	465	465	465	465
d (mm)	165.5	165.5	165.5	165.5	165.5
Fixing Centres (mm)					
A	365	365	365	365	365
B	100	100	100	100	100
C	750	900	1050	1200	1350

Extension box for contactors

Dimensions	CON0634	CON1004	CON1604
h (mm)	350	450	450
w (mm)	465	465	465
d (mm)	165.5	234.5	234.5

PRO-DB 125A AND 250A HORIZONTAL SEPARATE METERING



125A Horizontal Separate Metering

Dimensions	
h (mm)	450
w (mm)	465
d (mm)	132.5
Fixing Centres (mm)	
A	365
B	80
C	290

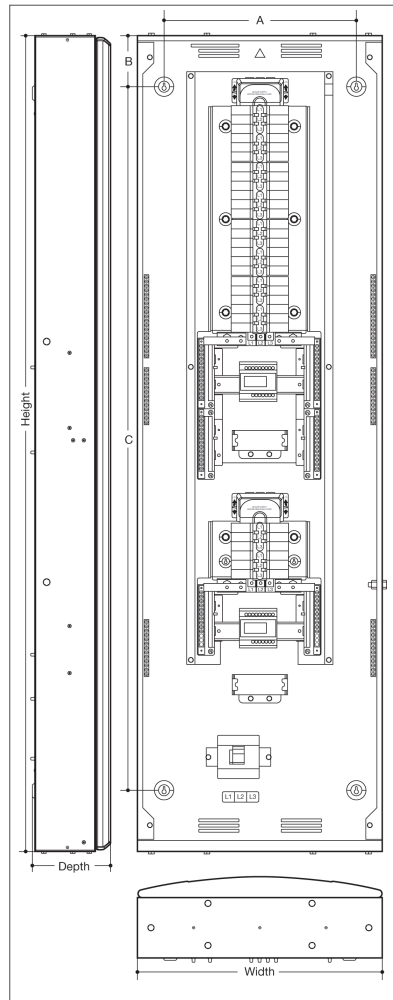
250A Horizontal Separate Metering

Dimensions	
h (mm)	625
w (mm)	465
d (mm)	165.5
Fixing Centres (mm)	
A	365
B	100
C	425

DIMENSIONS

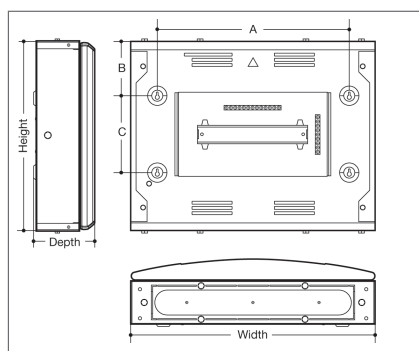
PRO-DB 125A VERTICAL SEPARATE METERING

125A Vertical Separate Metering



Dimensions	
h (mm)	1550
w (mm)	465
d (mm)	165.5
Fixing Centres (mm)	
A	365
B	100
C	1350

MULTI-SERVICE DIN EXTENSION BOXES



125A Multi-service
DIN Extension Boxes

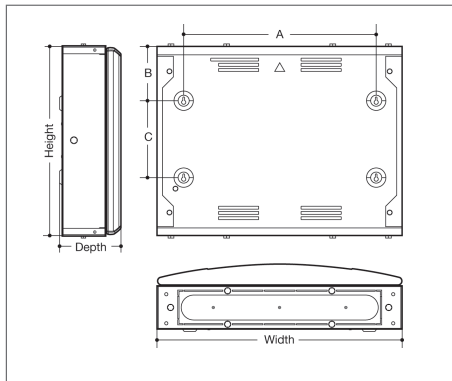
Dimensions	TB125DINX (G)16	TB125DINX (G)32
h (mm)	300	450
w (mm)	465	465
d (mm)	132.5	132.5
Fixing Centres (mm)		
A	365	365
B	150	80
C	-	290

250A Multi-service
DIN Extension Boxes

Dimensions	TB250DINX (G)16	TB250DINX (G)32
h (mm)	300	450
w (mm)	465	465
d (mm)	165.5	165.5
Fixing Centres (mm)		
A	365	365
B	150	80
C	-	290

DIMENSIONS SPREADER BOXES

PRO-PANEL



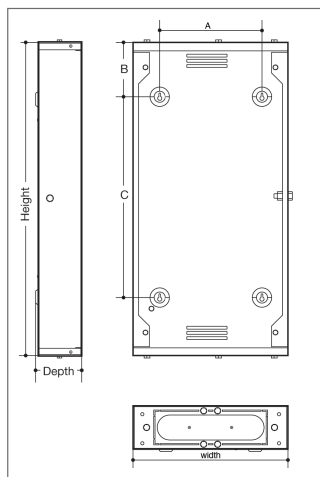
125A Cable Spreader Boxes

Dimensions	TBCABXS125	TBCABXL125
h (mm)	300	450
w (mm)	465	465
d (mm) without door	91.5	91.5
d (mm) with optional door	132.5	132.5
Fixing Centres (mm)		
A	365	365
B	150	80
C	-	290

250A Cable Spreader Boxes

Dimensions	TBCABXS250	TBCABXL250
h (mm)	300	450
w (mm)	465	465
d (mm) without door	124.5	124.5
d (mm) with optional door	165.5	165.5
Fixing Centres (mm)		
A	365	365
B	150	80
C	-	290

HALF-WIDTH SIDE EXTENSION BOXES



125A Half Width Side Extension Boxes

Dimensions	TBHX12504	TBHX12506	TBHX12508	TBHX12512	TBHX12516
h (mm)	500	550	625	850	950
w (mm)	232.5	232.5	232.5	232.5	232.5
d (mm)	91.5	91.5	91.5	91.5	91.5
Fixing Centres (mm)					
A	170	170	170	170	170
B	100	100	100	100	100
C	300	350	425	650	750

250A Half Width Side Extension Boxes

Dimensions	TBHX25008	TBHX25012	TBHX25016	TBHX25018	TBHX25024
h (mm)	950	1100	1250	1400	1550
w (mm)	232.5	232.5	232.5	232.5	232.5
d (mm)	124.5	124.5	124.5	124.5	124.5
Fixing Centres (mm)					
A	170	170	170	170	170
B	100	100	100	100	100
C	750	900	1050	1200	1350

PRO-PANEL PANELBOARDS

DESCRIPTION

- Pro-panel: a three-phase and neutral panelboard
- Busbar Ratings: 400A or 800A
- 3P outgoing circuits (ways) on 400A version: 6, 12, 18
- 3P outgoing circuits (ways) on 800A version: 6, 12, 18
- Incoming devices: TemBreak 2 MCCB or TemBreak 2 switch-disconnector

CIRCUIT PROTECTION

- 400A version: TemBreak 2 E125-NJ (25kA), S125-NJ (36kA) or S125-GJ (65kA) 3P MCCBs, S125-NF (25kA) 1P MCCB.
- 800A version: TemBreak 2 E250-NJ (25kA), S250-NJ (36kA) or S250-GJ (65kA) 3P MCCBs, S160-NF (25kA) 1P MCCB.

METERING

Terasaki TemMeasure multifunction meters and energy analysers can be included the Pro-panel system.

- Top-mounted meter boxes with CTs and DIN 96 cut-out
- Side-mounted metering boxes with CT brackets and DIN 96 cut-outs (CTs not included)

Refer to the TemMeasure section of our catalogue “Protection and Distribution 1A to 6300A (PL0810)” for details of meters and analysers.

RATINGS AND SPECIFICATIONS FOR PRO-PANEL

PRO-PANEL

Characteristics	400A	800A
Standards	Designed, manufactured and tested to BS EN 60439	Designed, manufactured and tested to BS EN 60439
Busbar Current Rating	400A	800A
Busbar Type	Encapsulated Copper	Encapsulated Copper
Busbar Rating	50kA for 1 second	50kA for 1 second
Incoming	250A Switch disconnecter 400A Switch disconnecter 250A MCCB 400A MCCB	630A Switch disconnecter 800A Switch disconnecter 630A MCCB 800A MCCB
Outgoing Ways	6, 12, 18 Triple pole outgoing ways	6, 12, 18 Triple pole outgoing ways
Outgoing Protection	S125-NF (25kA) 1P MCCB E125-NJ (25kA) 3P MCCB S125-NJ (36kA) 3P MCCB S125-GJ (65kA) 3P MCCB	S160-NF (25kA) 1P MCCB E250-NJ (25kA) 3P MCCB S250-NJ (36kA) 3P MCCB S250-NJ (65kA) 3P MCCB
Voltage Rating in AC	230 / 400V	230 / 400V
IP Protection	IP3X to BS EN 60529	IP3X to BS EN 60529
Enclosure Body Type	Steel	Steel
Enclosure Paint Type	Powder coat RAL 7035W	Powder coat RAL 7035W
Terminal Connection Capacity		
Incoming Earth Terminal	M12 stud	M12 stud
Incoming Neutral Terminal	M12 stud	M12 stud
Outgoing Earth Terminals	M8 stud	M8 stud
Outgoing Neutral Terminals	M8 stud	M8 stud
Installation		
Mounting	6 x key hole fixing holes	6 x key hole fixing holes
Grand Plate	Top and bottom removable	Top and bottom removable

ORDER CODES

400A Panel Board



Poles	Outgoing Ways	Order Code	Dimensions (mm)		
			Height	Width	Depth
3 Pole	6	405401006	1160	700	200
	12	405401012	1550	700	200
	18	405401018	1750	700	200
Optional shrouding for earth and neutral bars	6, 12	405402001			

* Maximum outgoing device 125A



Incoming Device	Order Code
250A TP Switch Disconnecter	404404253
400A TP Switch Disconnecter	404404403
250A TP MCCB Incomer	404404251
400A TP MCCB Incomer	404404401
Padlock Device	037207

800A Panel Board



Poles	Outgoing Ways	Code	Dimensions (mm)		
			Height	Width	Depth
3 Pole	6	405801006	1160	700	200
	12	405801012	1550	700	200
3 Pole Floor standing	18	405801018	Dimensions on request		
Optional shrouding for earth and neutral bars	6, 12	405402001			

* Maximum outgoing device 250A



Incoming Device	Order Code
630A TP Switch Disconnecter	404804633
800A TP Switch Disconnecter	404804803
630A TP MCCB Incomer	404804631
800A TP MCCB Incomer	404804801
Padlock Device	215011004

PRO-PANEL

ORDER CODES

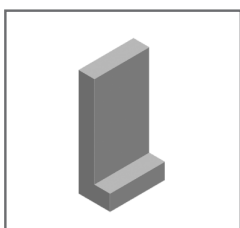
EXTENSION BOXES

PRO-PANEL



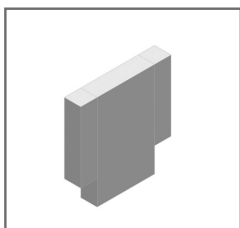
Extension Boxes	Order Code	Dimensions (mm)		
		Width	Height	Depth
400/800 Extension Box	404802182	700	200	200
400 Meter Box*	404802400	700	300	200
800 Meter Box*	404802800	700	300	200

* Box includes CT's and DIN96 Cutout



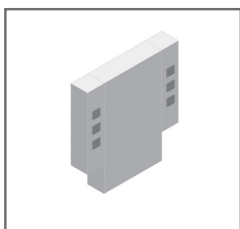
Extra Deep Extension Box	Order Code
for 400/800	404802300

* Extra-height extension box also available
Dimensions on request



Side-mounted Cable Boxes	Order Code
6-way 400/800	404802301
12-way 400/800	404802302
18-way 800	404802303

* Prices are for one cable box which can be mounted either on the right or on the left of the panelboard



Side-mounted Metering Boxes	Order Code
6-way TemWay 400/800 with 3 DIN96 cutouts	404802304
12-way TemWay 400/800 with 6 DIN96 cutouts	404802305
18-way TemWay 800 with 9 DIN96 cutouts	404802306

* Prices are for one cable box which can be mounted either on the right or on the left of the panelboard.
Blanking plates for unused cutouts are included. Mounting brackets for CTs are included.

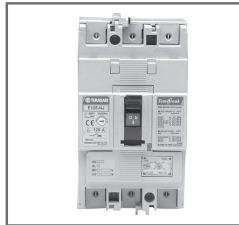
ORDER CODES TEMBREAK 2 CIRCUIT PROTECTION

400A Panel Board Outgoing MCCBs



poles	I_R (A)	S125-NF Code
1	16	254796
	20	254703
	25	254710
	32	254727
	40	254734
	50	254741
	63	254758
	80	254765
	100	254772
	125	254789

PRO-PANEL



poles	I_R (A)	E125-NJ Code	S125-NJ Code	S125-GJ Code
3	13-20	254802	255007	255205
	20-32	254819	255014	255212
	32-50	254826	255021	255229
	40-63	254833	255038	255236
	63-100	254840	255045	255243
	79-125	254857	255052	255250

Adjustment Ratings
*Maximum busbar withstand rating - 50kA

Terminal Shrouds & Accessories

		Order Code
1P FC	Load Terminal Shroud	080401
	Line Terminal Shroud	080531
3P FC	Load Terminal Shroud	080425
	Line Terminal Shroud	080555
1P or 3P	Padlock Device	037016
1P or 3P	Blanking Kit	404100000

*Note: 1 off each shroud (either 1p or 3p) required per MCCB

ORDER CODES

TEMBREAK 2 CIRCUIT PROTECTION

800A Panel Board

PRO-PANEL



poles	I_R (A)	S160-NF Code
1	16	326707
	20	326714
	25	326721
	32	326738
	40	326745
	50	326752
	63	326769
	80	326776
	100	326790
	125	326790
160	326806	



poles	I_R (A)	S160-NJ Code	S160-GJ Code
3	13-20	326837	-
	20-32	326844	-
	32-50	326851	327025
	40-63	326868	327032
	63-100	326875	327049
	79-125	326882	327056
	101-160	326899	327063

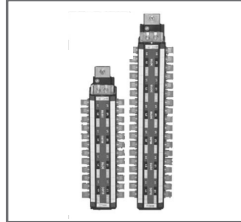
poles	I_R (A)	S250-NJ Code	S250-GJ Code
3	01-160	312021	312229
	126-200	312052	312250
	158-250	312038	312236

Terminal Shrouds & Accessories

		Order Code
1P FC	Load Terminal Shroud	080449
	Line Terminal Shroud	080579
3P FC	Load Terminal Shroud	080456
	Line Terminal Shroud	080586
1P or 3P	Padlock Device	037016
1P or 3P	Blanking Kit	40410000

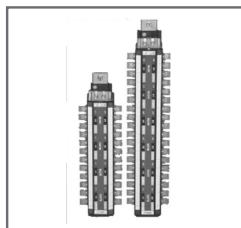
* Note: 1 off each shroud (either 1p or 3p) required per MCCB

ORDER CODES BUSBAR ASSEMBLIES



Outgoing Ways	400A Busbar Assembly	400A Busbar Assembly inc Tray Earth & Neutral
	Code	Code
6	404403106	404403006
12	404403112	404403012

PRO-PANEL



Outgoing Ways	800A Busbar Assembly	800A Busbar Assembly inc Tray Earth & Neutral
	Code	Code
6	404803106	404803006
12	404803112	404803012

4P BUSBAR ASSEMBLIES

A range of busbar assemblies, suitable for 4P distribution, are available for use with TemBreak 2 MCCB's.

Contact us for details.



To order technical catalogues for TD3 DIN modular products, TemBreak 2 MCCB's or TemMeasure meters and analysers contact:

marlene.stirling@Terasaki.co.uk
t. 0141 941 1940
f. 0141 952 9246

or download them from:
www.terasaki.com

Place an order:

sales@terasaki.co.uk
t. 0141 941 1940
f. 0141 565 1756

Terasaki Electric (Europe) Ltd
80 Beardmore Way, Clydebank Industrial Estate, Glasgow, G81 4HT. UK.

Ratings, specifications and prices published in this document may be subject to change without notice. Confirm that they meet your requirements before placing an order.

Publication reference: PROD8PB0411. 1st March 2011.